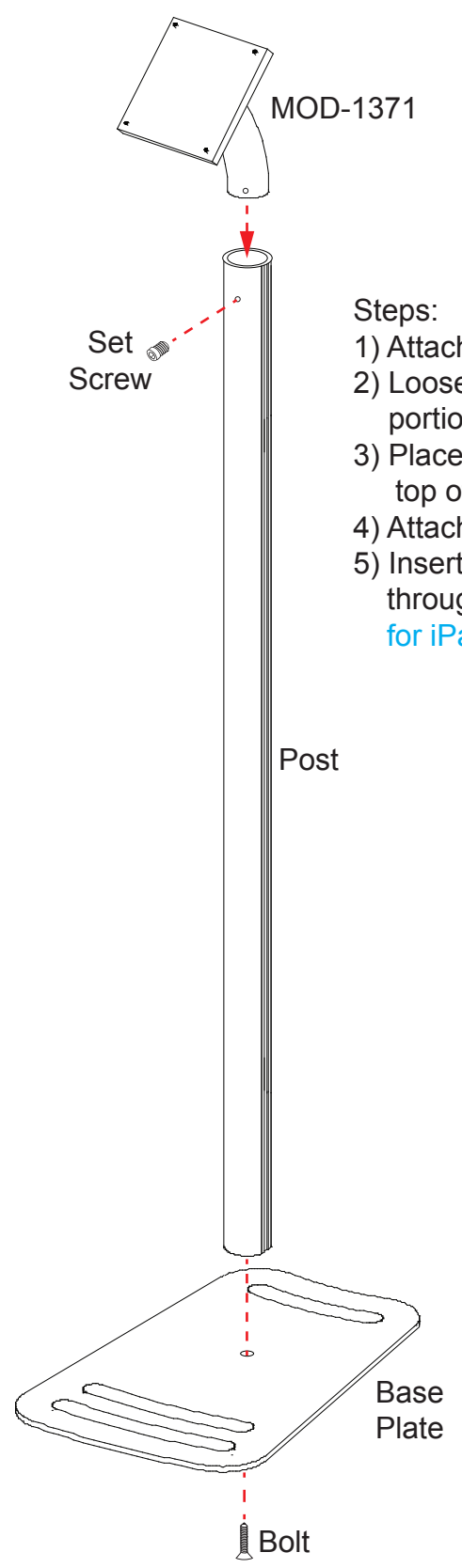


- Steps:
- 1) Connect curved vertical pieces together, using set screw.
  - 2) Attach base plate to bottom of curved vertical, using bolt.
  - 3) Attach mount to top of curved vertical, using bolt.
  - NOTE: Mount must rotate left and right before installing clamshell.**
  - 4) Attach clamshell to mount, using hex nuts. See [Clamshell Attachment](#) detail.
  - 5) Insert iPad into clamshell and feed cord through hole. See [Cord Management for iPad](#) detail.



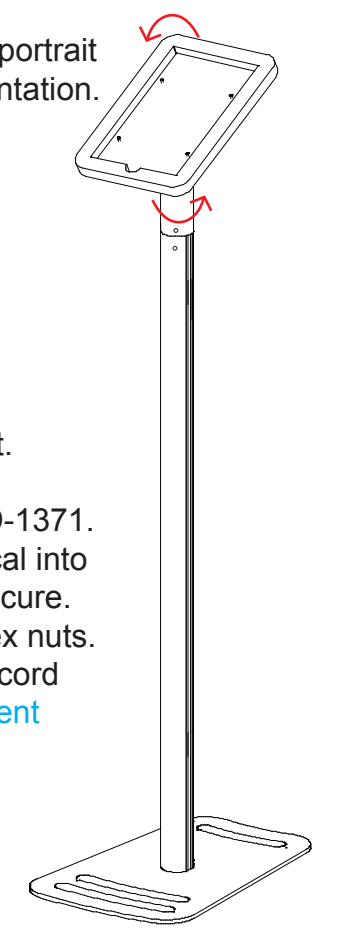
**Cord Management for iPad**

Attach iPad cord to supplied USB extension cord. Feed USB cord through top hole of post, then out bottom hole of post. Connect to power.

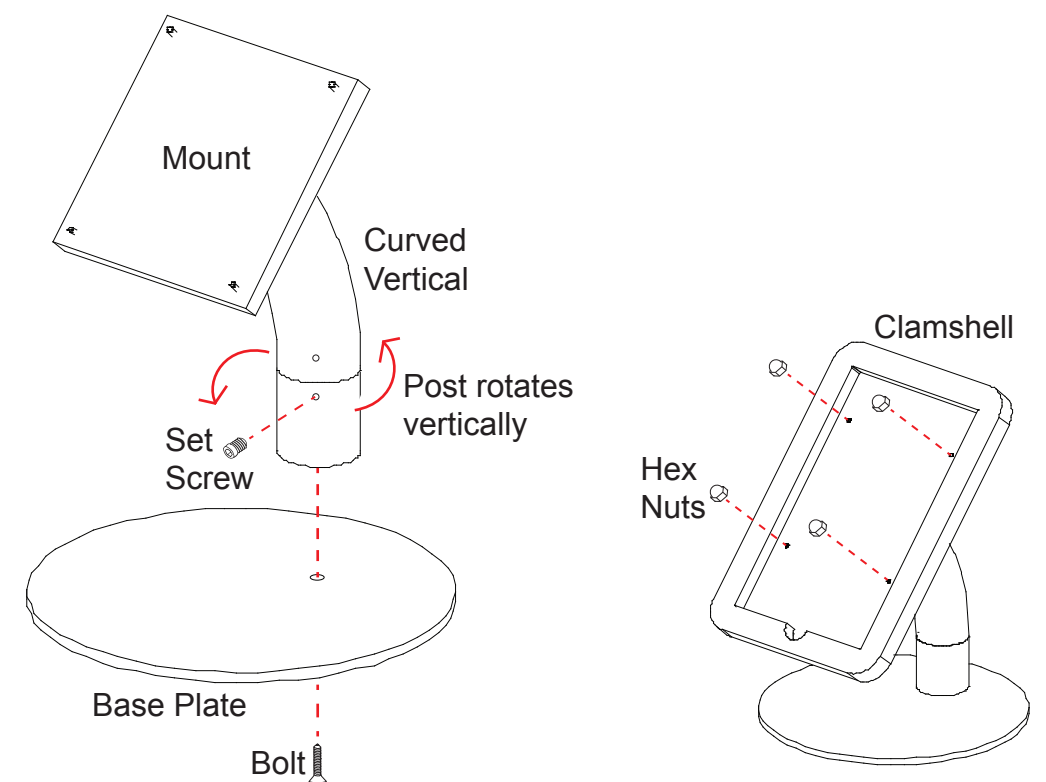


- Steps:
- 1) Attach base plate to post, using bolt.
  - 2) Loosen set screw to remove lower portion of curved vertical from MOD-1371.
  - 3) Place upper portion of curved vertical into top of post. Tighten set screw to secure.
  - 4) Attach clamshell to mount, using hex nuts.
  - 5) Insert iPad into clamshell and feed cord through holes. See [Cord Management for iPad](#) detail.

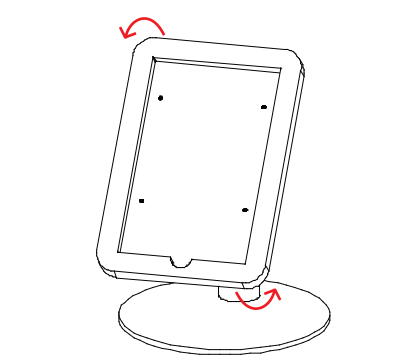
Rotate clamshell to turn iPad from portrait to landscape orientation.



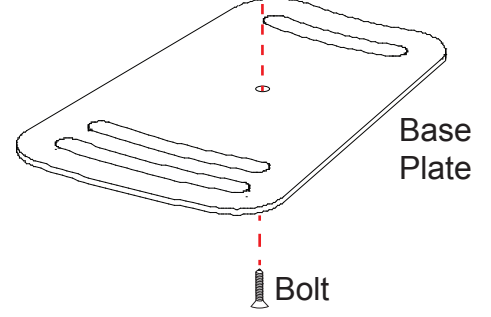
Completed MOD-1370 Assembly



MOD- 1371 Assembly



Completed MOD-1371 Assembly



MOD- 1370 Assembly

**Optional Cover for Home Button**

- 1) Remove foam lining from inside bottom of clamshell.
- 2) Attach Home Button Shield with double-sided tape to inside of clamshell, keeping top of shield flush with clamshell opening.

**NOTE: This is a permanent fix and can't be easily removed.**

## General Setup Instructions

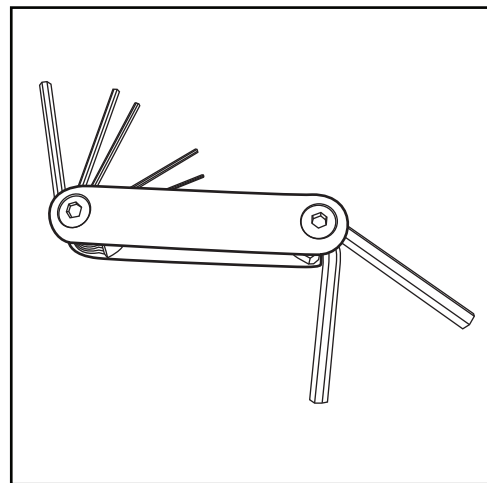
- Read entire setup instruction manual prior to unpacking parts and pieces.
- The setup instructions are created specifically for this configuration.
- Setup instructions are laid out sequentially in steps, including exploded views with detailed explanation for assembly.

## Cleaning & Packing

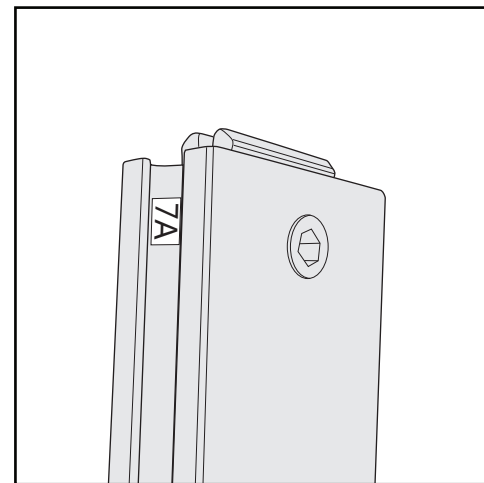
- For Cleaning Metal, Plex, & Laminate Parts: Use a **MILD NON-ABRASIVE** cleanser and soft cloth/paper towel to clean all surfaces.
- Keep exhibit components away from heat and prolonged sun exposure. **Heat and UV exposure will warp and fade components.**
- Retain all provided Packing Materials. All provided packing materials are for ease of repacking & component protection.

## Disassembly

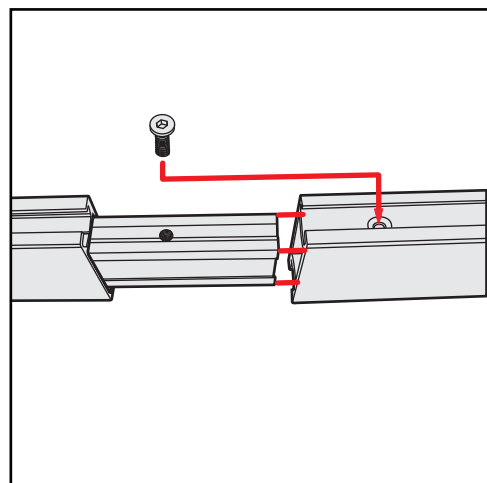
- For loss prevention, tighten all setscrews and locks during disassembly



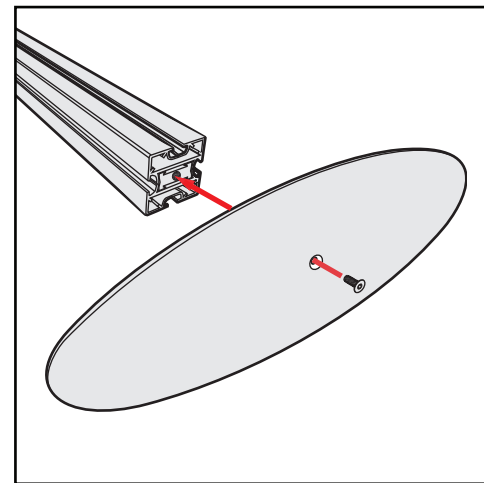
Hex Tool - Essential for Assembly



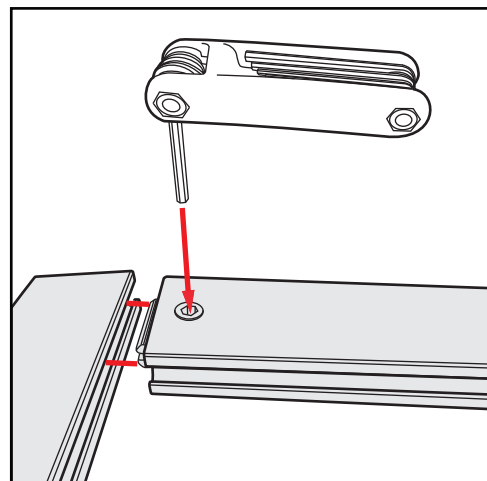
Part Identification - Numbering



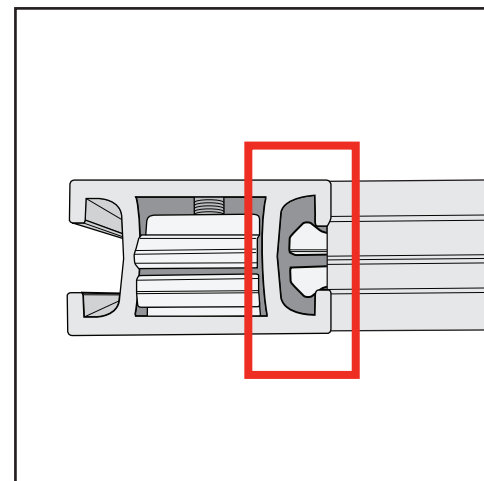
Spline Connection



Base Plate & Extrusion Connection



Extrusion & Lock Connection



Engaged Lock



**WARNING**



DO NOT USE POWER TOOLS



LADDERS OR LIFTS  
MAY BE REQUIRED



ALL CONNECTIONS MUST  
BE TIGHTLY SECURED