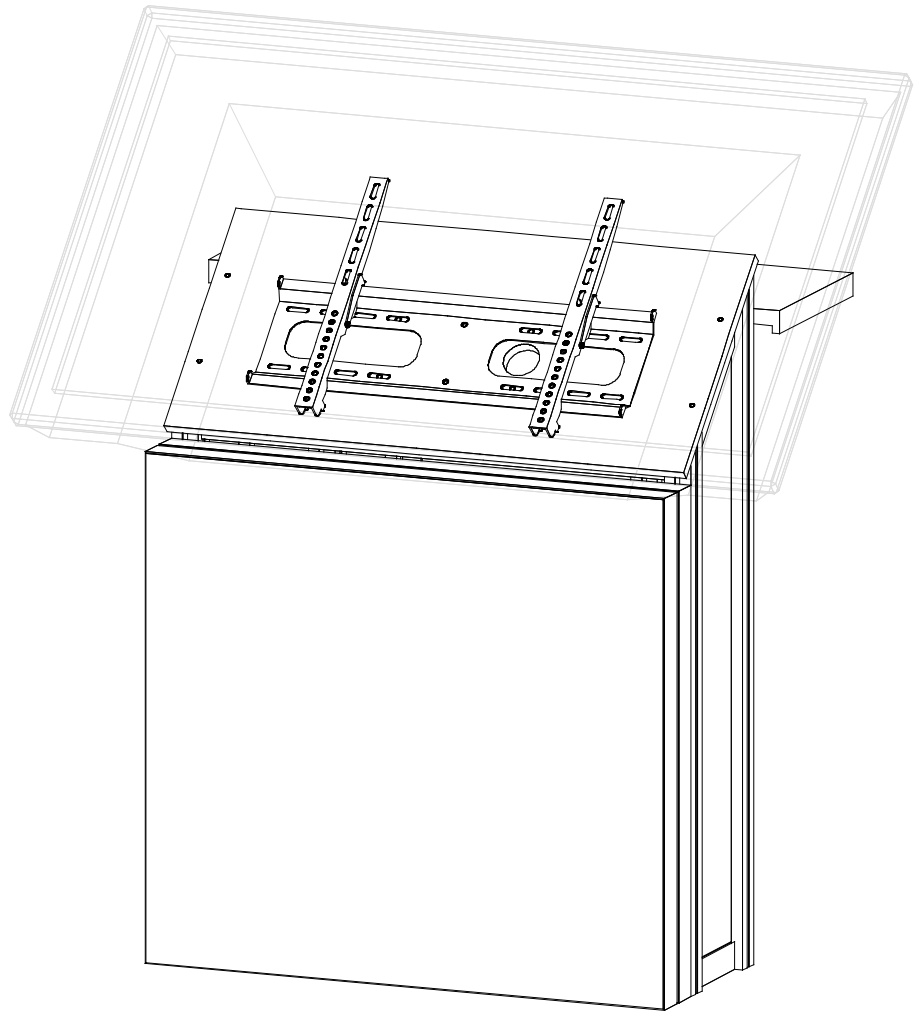


TOP VIEW



= 1 sq foot



FRONT VIEW

## General Setup Instructions

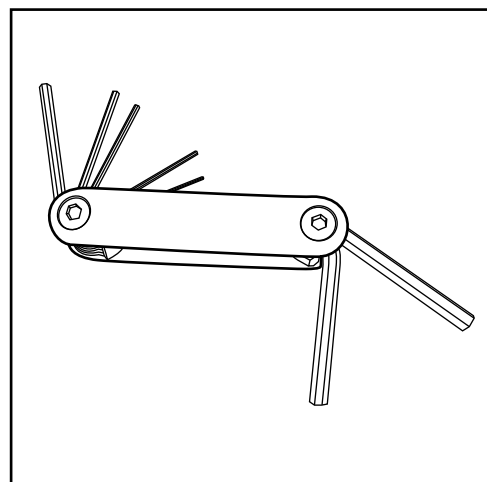
- Read entire setup instruction manual prior to unpacking parts and pieces.
- The setup instructions are created specifically for this configuration.
- Setup instructions are laid out sequentially in steps, including exploded views with detailed explanation for assembly.

## Cleaning & Packing

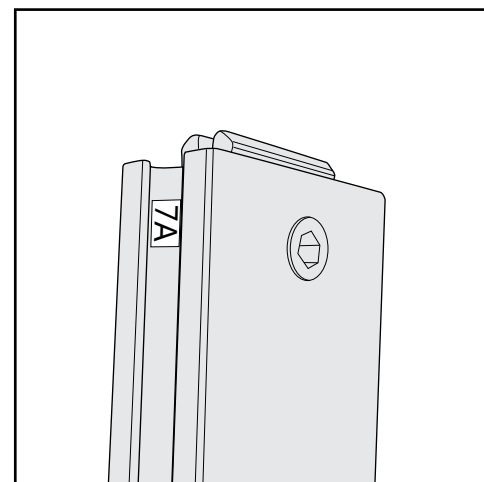
- For Cleaning Metal, Plex, & Laminate Parts: Use a **MILD NON-ABRASIVE** cleanser and soft cloth/paper towel to clean all surfaces.
- Keep exhibit components away from heat and prolonged sun exposure. **Heat and UV exposure will warp and fade components.**
- Retain all provided Packing Materials. All provided packing materials are for ease of repacking & component protection.

## Disassembly

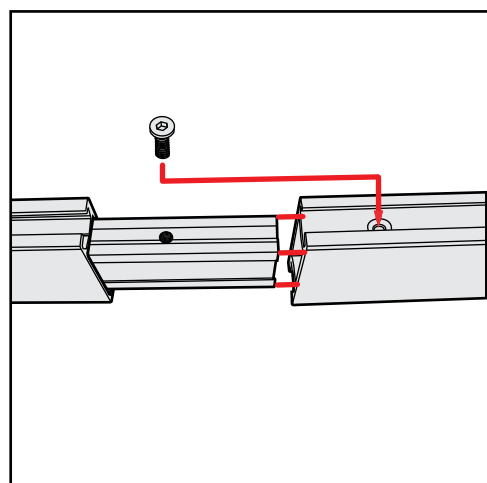
- For loss prevention, tighten all set screws and locks during disassembly.



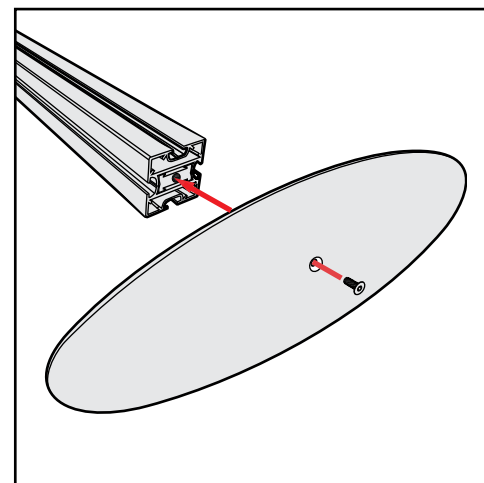
Hex Tool - Essential for Assembly



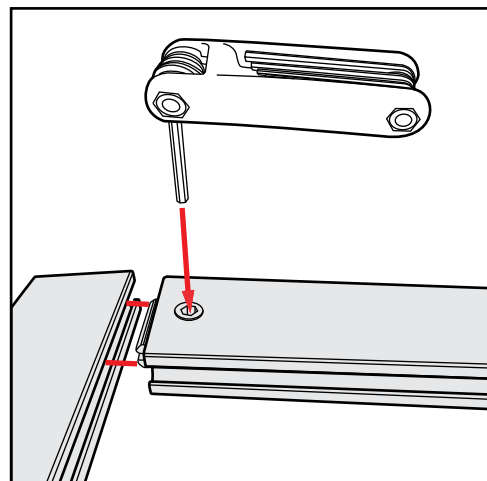
Part Identification - Numbering



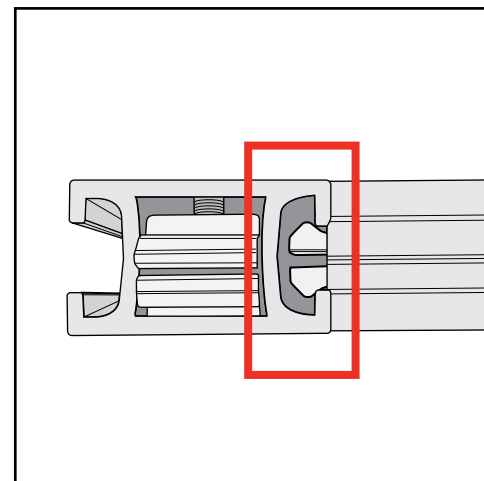
Spline Connection



Base Plate & Extrusion Connection



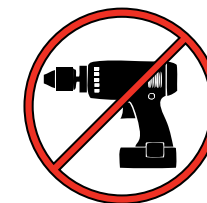
Extrusion & Lock Connection



Engaged Lock



**WARNING**



DO NOT USE POWER TOOLS



LADDERS OR LIFTS  
MAY BE REQUIRED



ALL CONNECTIONS MUST  
BE TIGHTLY SECURED

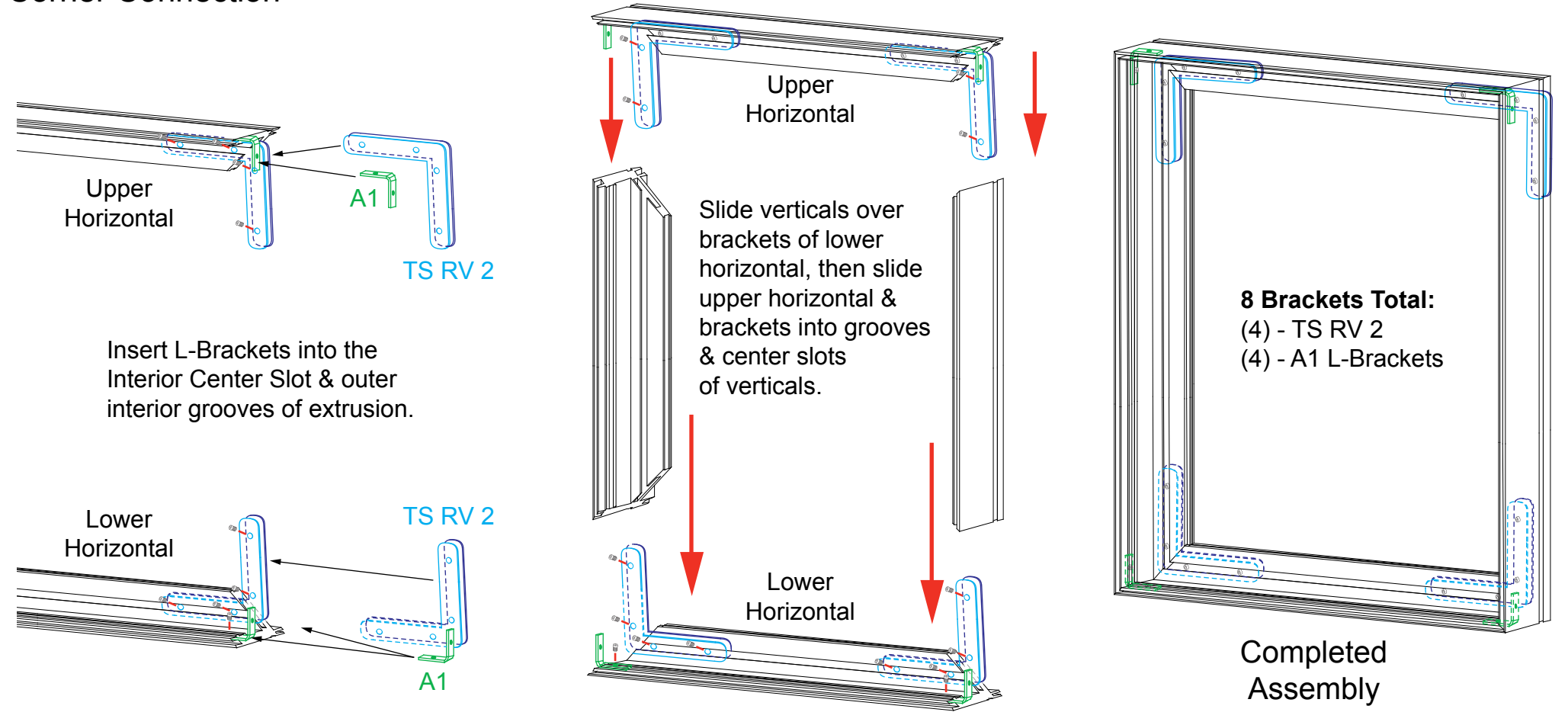
### Corner Bracket Assembly

- 1) Slide TWO-PIECE **TS RV 2** L-bracket into Interior Center Slot of extrusion so that two set screws are inside groove. Tighten two set screws to secure.
- 2) Slide one **A1** L-Bracket into outer interior grooves of upper and lower horizontals. Tighten set screws to secure.
- 3) Slide vertical extrusion over exposed ends of brackets in lower horizontal. Tighten set screws to secure.
- 4) Slide exposed ends of installed brackets of upper horizontal into open ends of verticals. Tighten set screws to secure.

### Disassembly

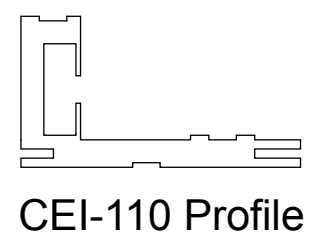
- 1) Loosen set screws on brackets and slide extrusions off of brackets.

### Corner Connection

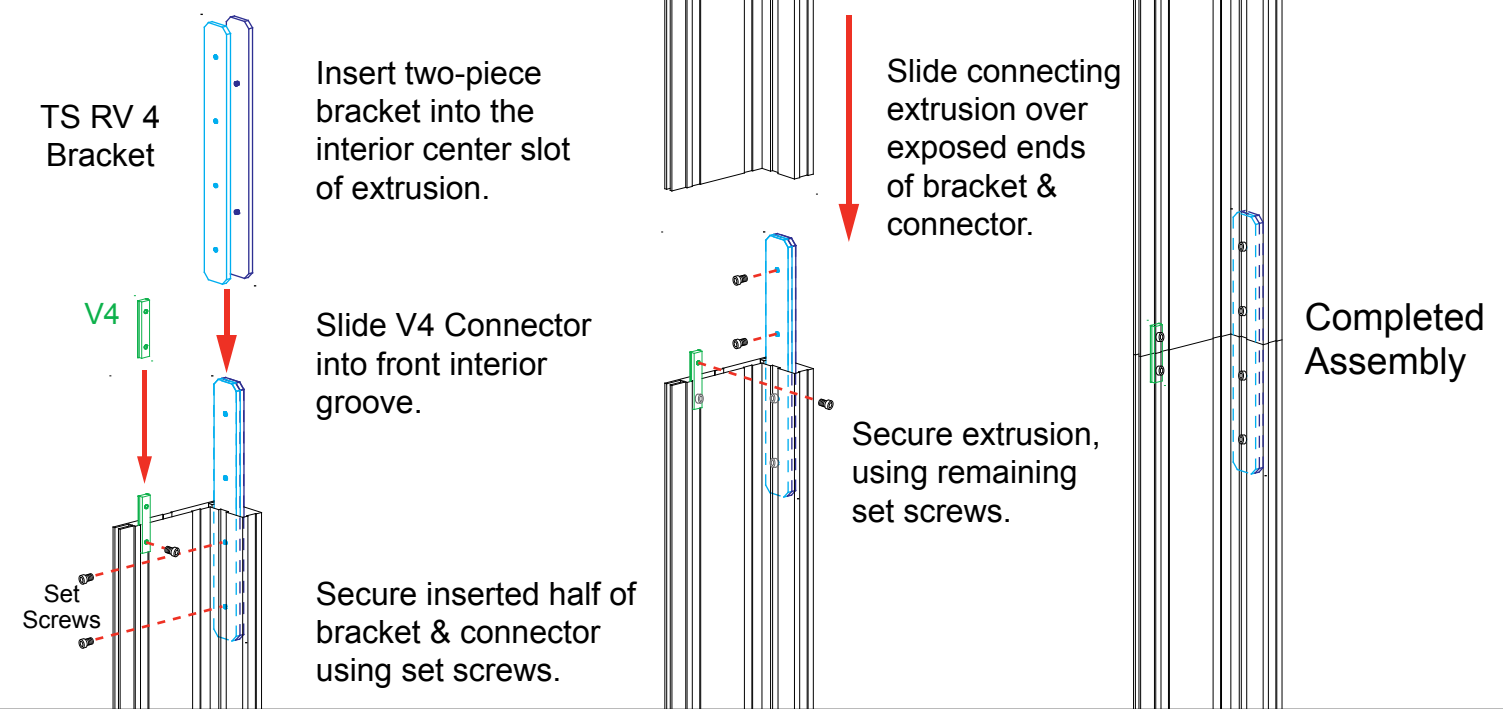


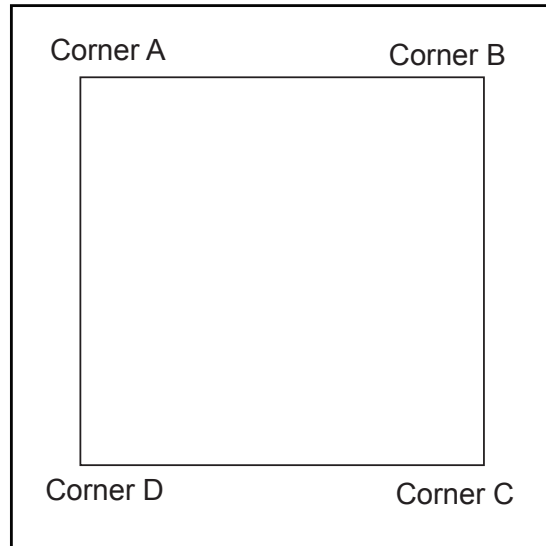
### Straight Bracket Assembly

- 1) Slide TWO-PIECE **TS RV 4** straight bracket into Interior Center Slot of extrusion, so that two of the set screws are inside groove. Tighten two set screws to secure.
- 2) Slide one **V4 Connector** into outer interior groove of extrusion, so that one set screw is inside groove. Tighten set screw.
- 3) Slide connecting extrusion over exposed ends of bracket & connector. Tighten all remaining set screws to secure extrusions.

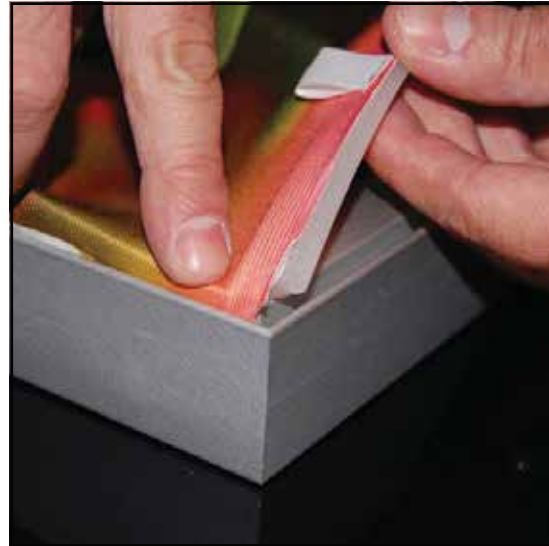


### Straight Connection





It is important to first insert graphic into each alternate corner then to the sides of the frame. If this is not done, graphic will not fit into the frame correctly.



**Step 1**  
Insert corner A. Turn edge of graphic so silicon welt is perpendicular to face of graphic. Insert narrow side of welt with fabric to outside into the channel. Repeat for other side of this corner.

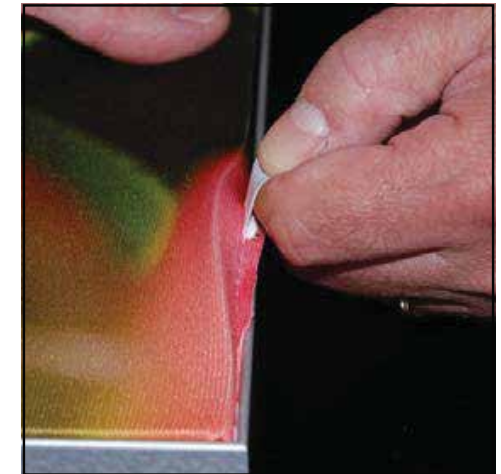


**Step 2**  
Repeat Step 1 for opposite corner C, then insert corner B, followed by corner D, to complete the installation of the corners.



**Step 3**  
Once all corners are inserted, press one silicon edge into channel from corners and work toward the center. Make sure welt is fully inserted into channel. Continue until all sides are done. Smooth out edges of graphic.

### Graphic Removal



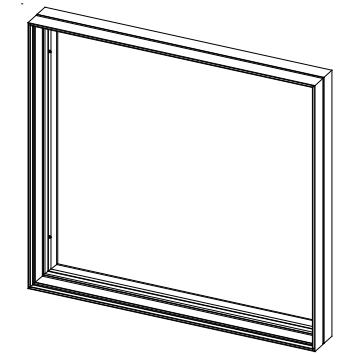
To remove the graphic from the frame, locate the fabric pull tab. Gently pull up on the tab to remove the fabric.

Item	Qty.	Description
1	1	33"h CEI110 Vertical Extrusion
2	1	33"h CEI110 Vertical Extrusion
3	1	35.5"w CEI110 Horizontal Extrusion
4	1	35.5"w CEI110 Horizontal Extrusion

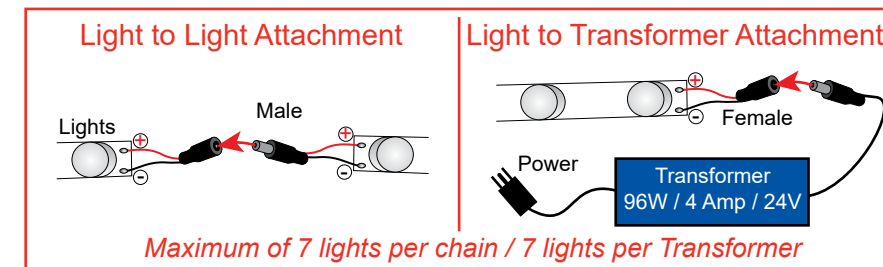
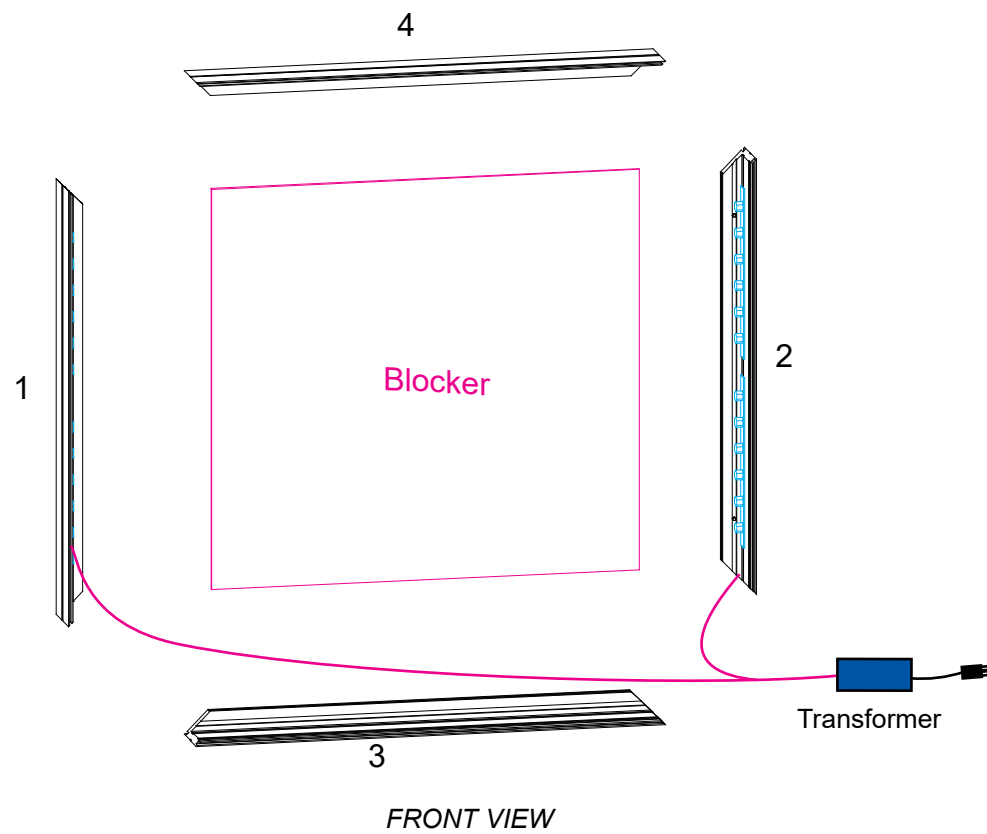
**Steps:**

*Refer to the CEI110 Frame Assembly general information page.*

- 1) Assemble verticals [1,2] between horizontal [3,4], inserting Sintra blocker.
- 2) Connect power cords to Supernova lights as shown.



When assembled

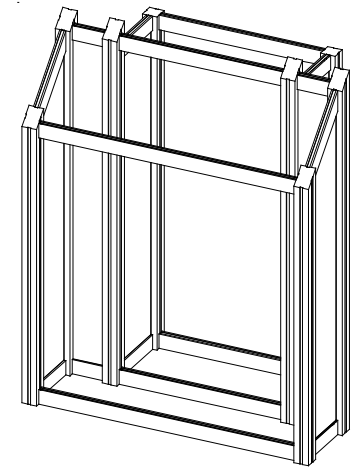




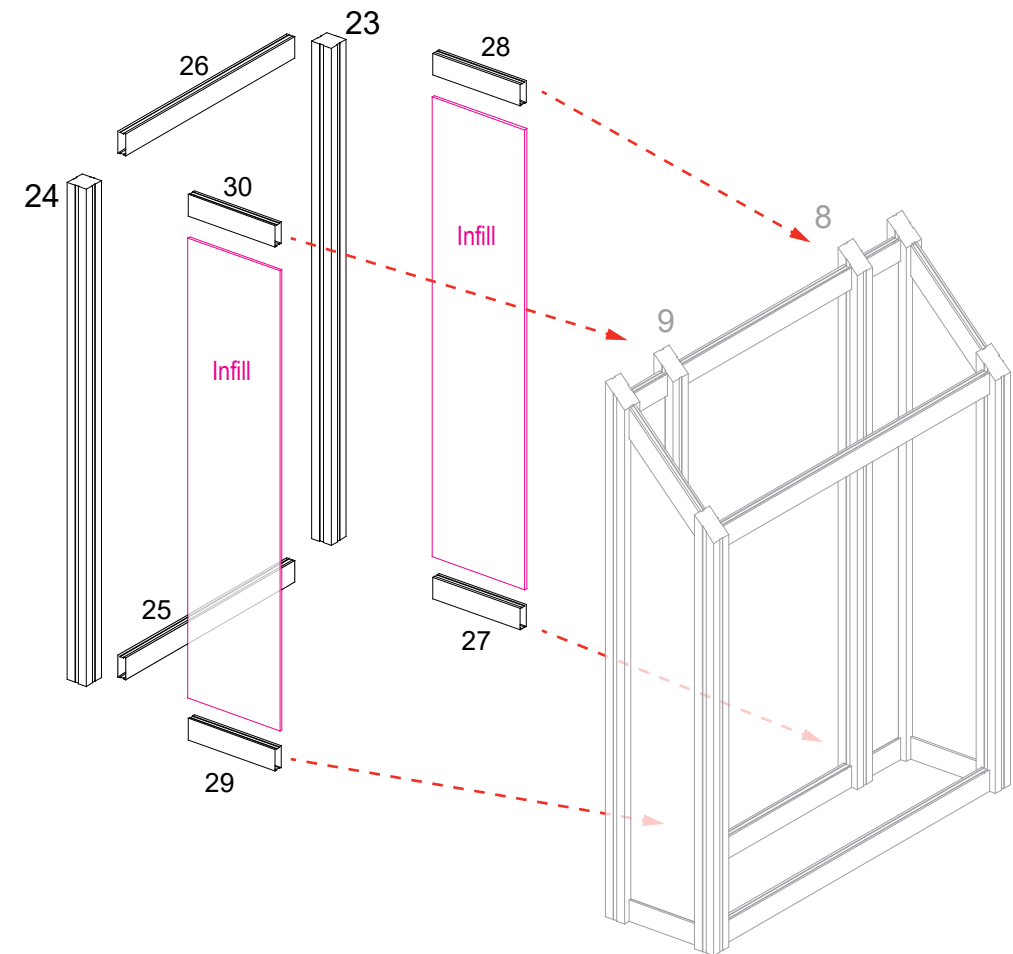
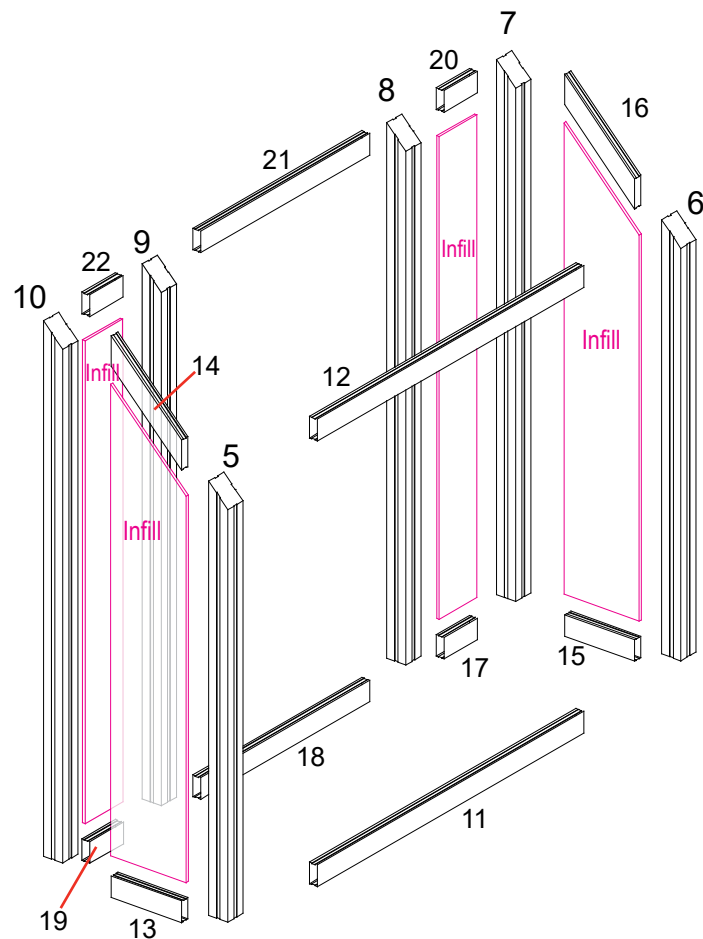
Item	Qty.	Description
5	1	36.098" h S44 Vertical Extrusion
6	1	36.098" h S44 Vertical Extrusion
7	1	44.5" h S44 Vertical Extrusion
8	1	44.5" h S44 Vertical Extrusion
9	1	44.5" h S44 Vertical Extrusion
10	1	44.5" h S44 Vertical Extrusion
11	1	31.846" w Z41 Horizontal Extrusion
12	1	31.846" w Z41 Horizontal Extrusion
13	1	6.591" w Z41 Horizontal Extrusion
14	1	11.112" w Z41 angled Extrusion
15	1	6.591" w Z41 Horizontal Extrusion
16	1	11.112" w Z41 angled Extrusion
17	1	4" w Z41 Horizontal Extrusion
18	1	20.224" w Z41 Horizontal Extrusion
19	1	4" w Z41 Horizontal Extrusion
20	1	4" w Z41 Horizontal Extrusion
21	1	20.224" w Z41 Horizontal Extrusion
22	1	4" w Z41 Horizontal Extrusion
23	1	41.325" h S44 Vertical Extrusion
24	1	41.325" h S44 Vertical Extrusion
25	1	20.224" w Z41 Horizontal Extrusion
26	1	20.224" w Z41 Horizontal Extrusion
27	1	8.189" w Z41 Horizontal Extrusion
28	1	8.189" w Z41 Horizontal Extrusion
29	1	8.189" w Z41 Horizontal Extrusion
30	1	8.189" w Z41 Horizontal Extrusion

Steps:

- 1) Assemble lower horizontals [11,13,15,17,18,19] between verticals [5,6,7,8,9,10].
- 2) Slide **Infills** between verticals [5,10], [6,7], [7,8], [9,10].
- 3) Connect upper horizontals [12,14,16,20,21,22] between verticals [5,6,7,8,9,10], securing infills.
- 4) Assemble horizontals [25,26] between verticals [23,24].
- 5) Connect horizontals [27,28], [29,30] between verticals [23,24] & verticals [8,9], inserting **Infills**.

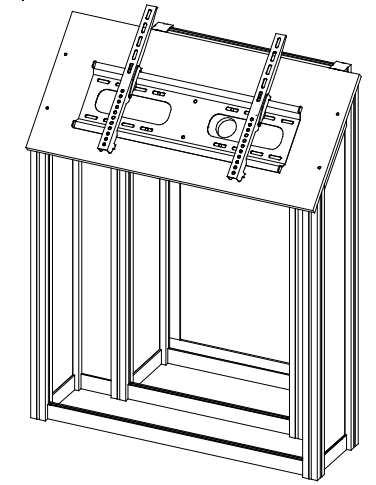


When assembled

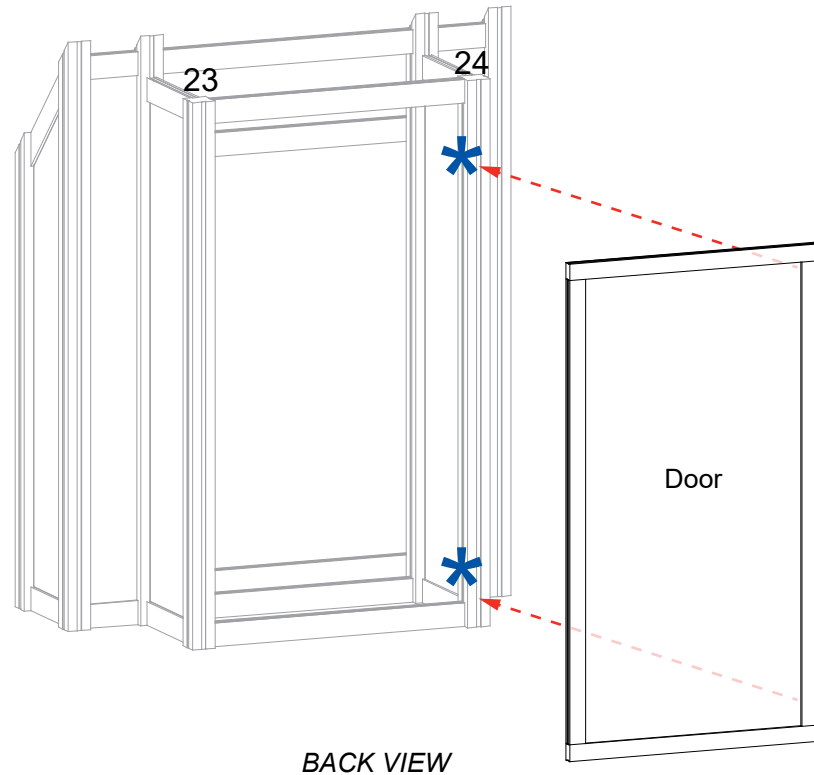


Item	Qty.	Description
--	1	Cabinet Door
--	1	35.5"w x 12.169 Monitor Mount Panel
--	1	Monitor Mount

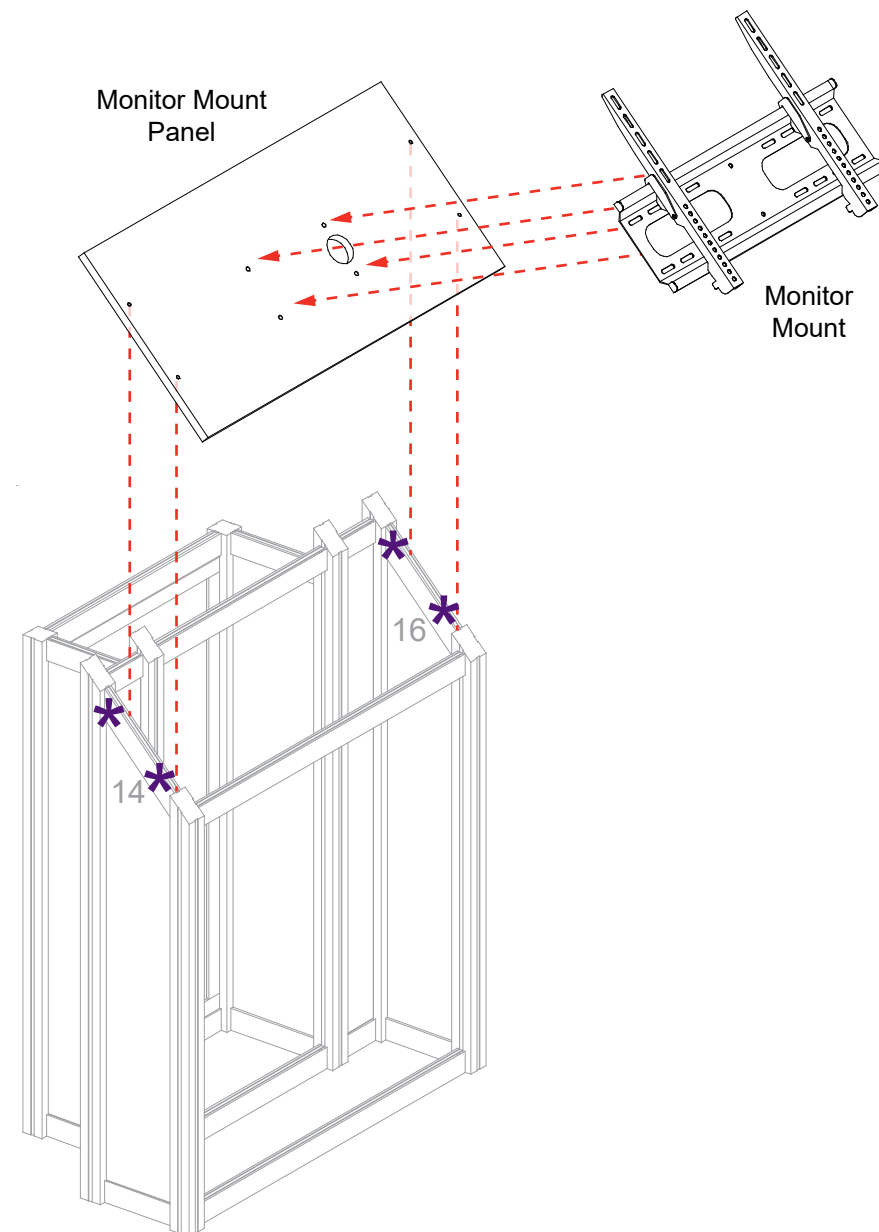
- Steps:
- 1) Attach Door between verticals [23,24]. See [Door Attachment](#) detail.
  - 2) Connect Monitor Mount to Monitor Mount Panel, using bolts & wing nuts.
  - 3) Attach Monitor Mount Panel to horizontals [14,16], using bolts & V4 connectors. See [V4 Connector](#) detail.



When assembled



BACK VIEW



**\* V4 Connector**

Slide V4 connector into groove of extrusion & secure with set screw.

Attach bolt to V4 connector.

V4 Connector

**\* Door Attachment**

Slide pin into hinge attached to vertical. Slide door hinge over pin.

Door Hinge

Pin

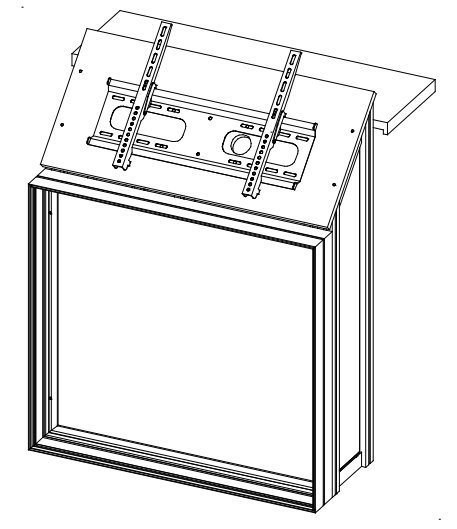
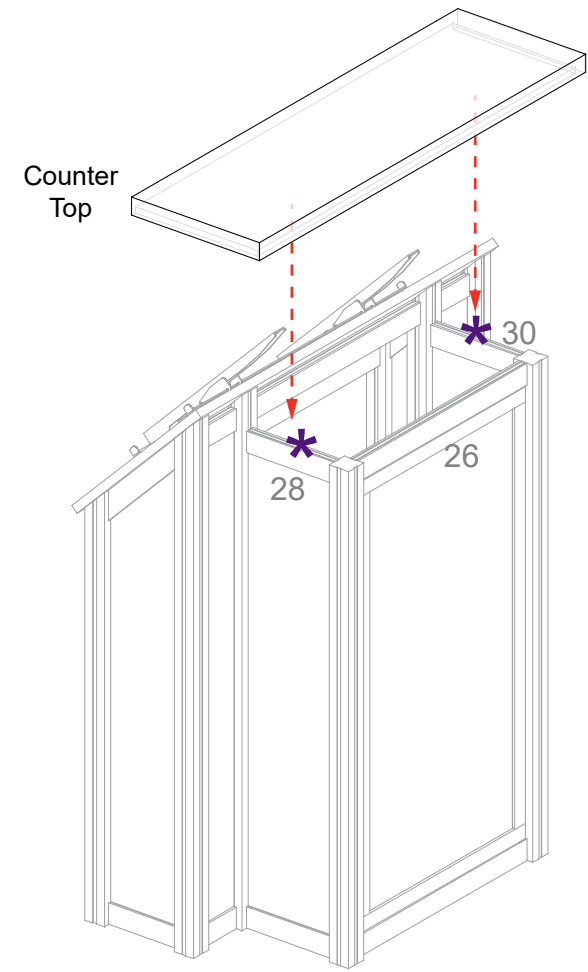
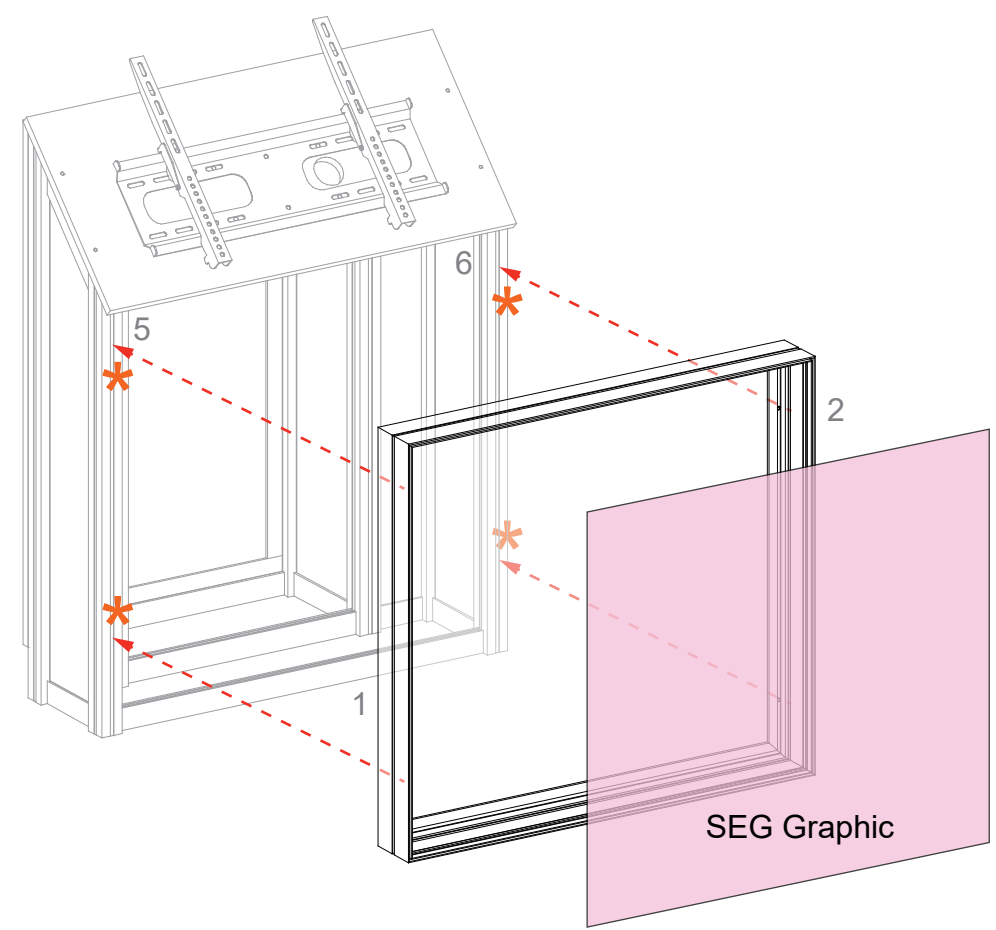
Hinge

Item	Qty.	Description
--	1	39" w x 12" d Counter Top

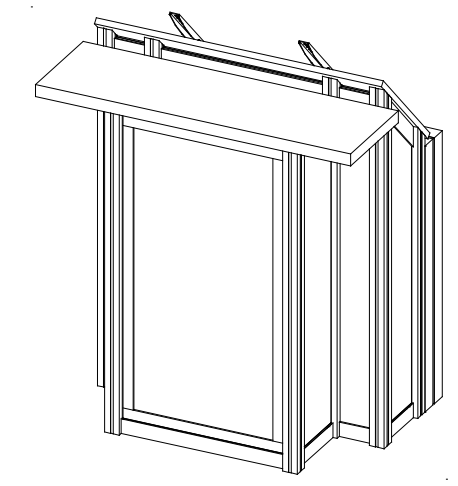
- Steps:
- 1) Connect Counter Top to top of horizontals [26,28,30]. See [Counter Top Attachment](#) detail.
  - 2) Connect lightbox frame assembly [1/2/3/4] to front of verticals [5,6] using bolts & V4 connectors. See [Lightbox Attachment](#) detail.
  - 3) Apply SEG Graphic to front of lightbox assembly. Refer to the [SEG Installation general information page](#).

**\* Lightbox Connection**

Slide V4 connector into groove of vertical extrusion as shown; secure with set screw. Attach lightbox extrusion to V4 connector using bolt.



When assembled



BACK VIEW

BACK VIEW

**\* Counter Top Attachment**