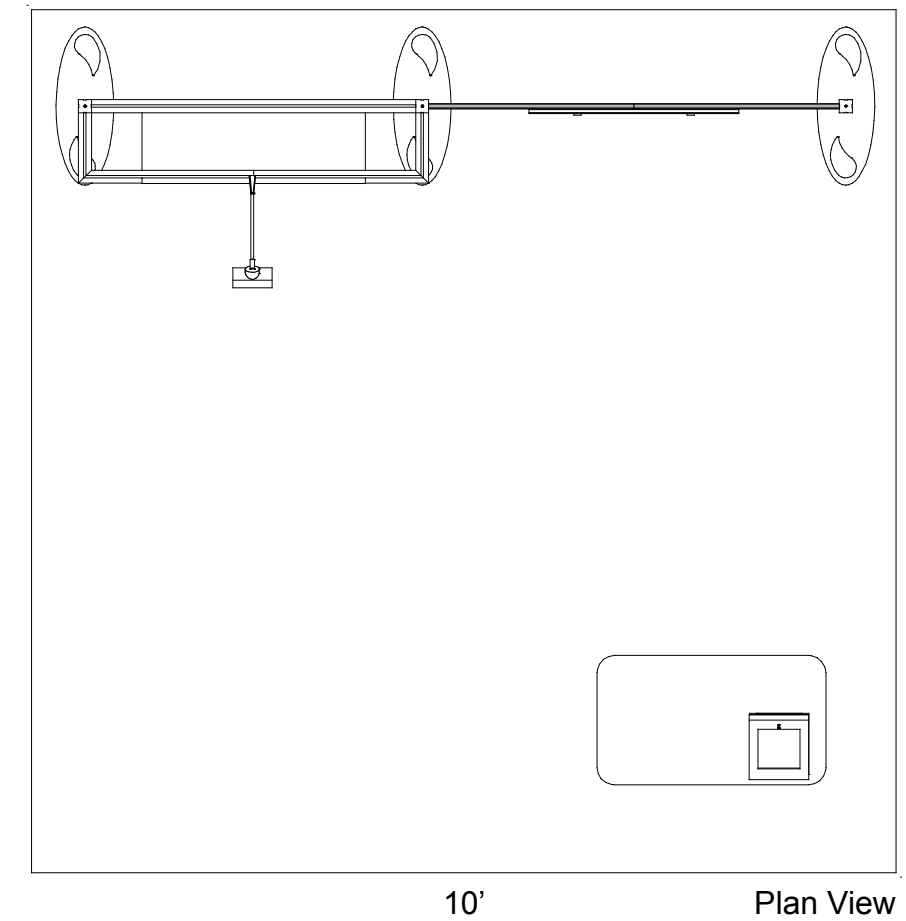
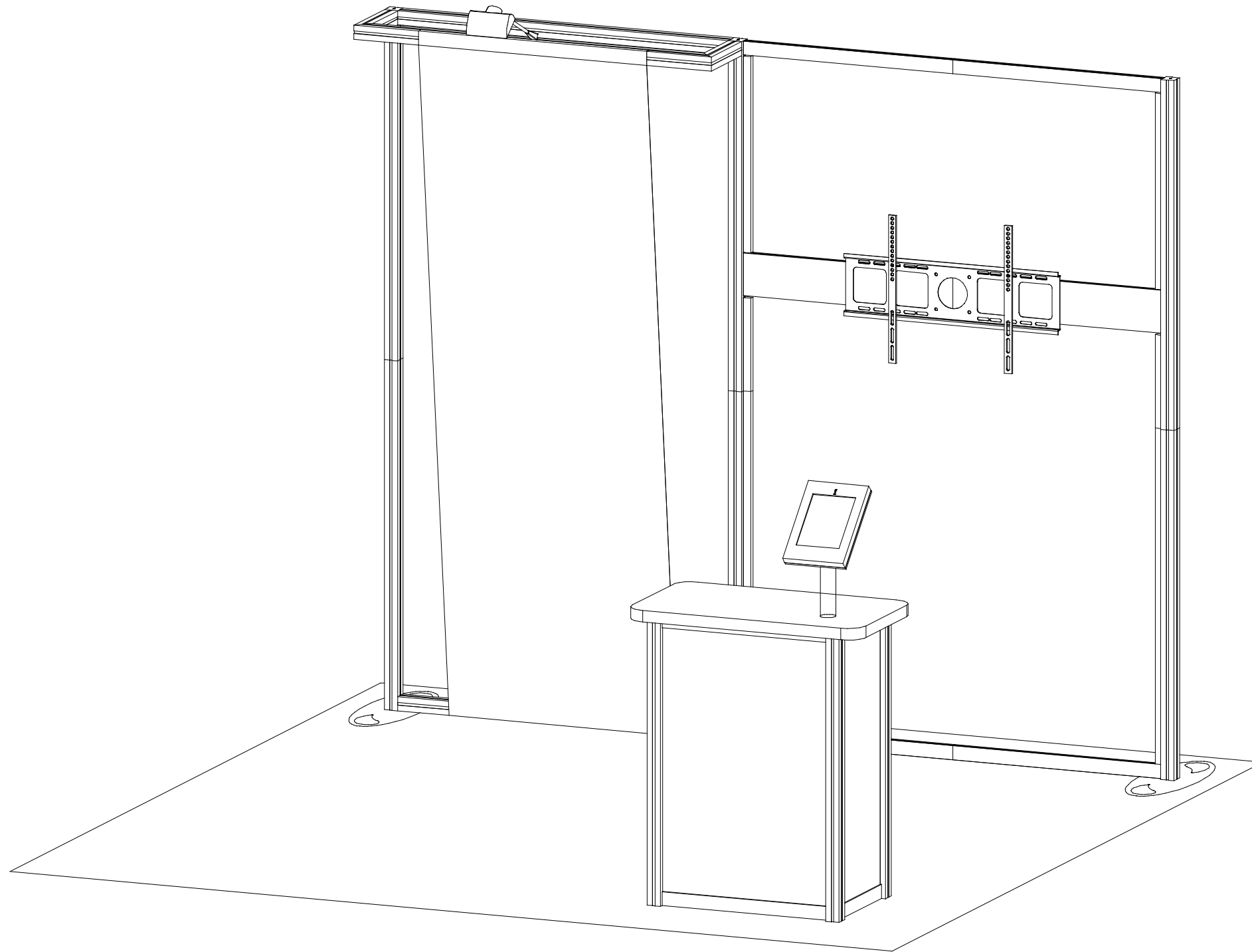
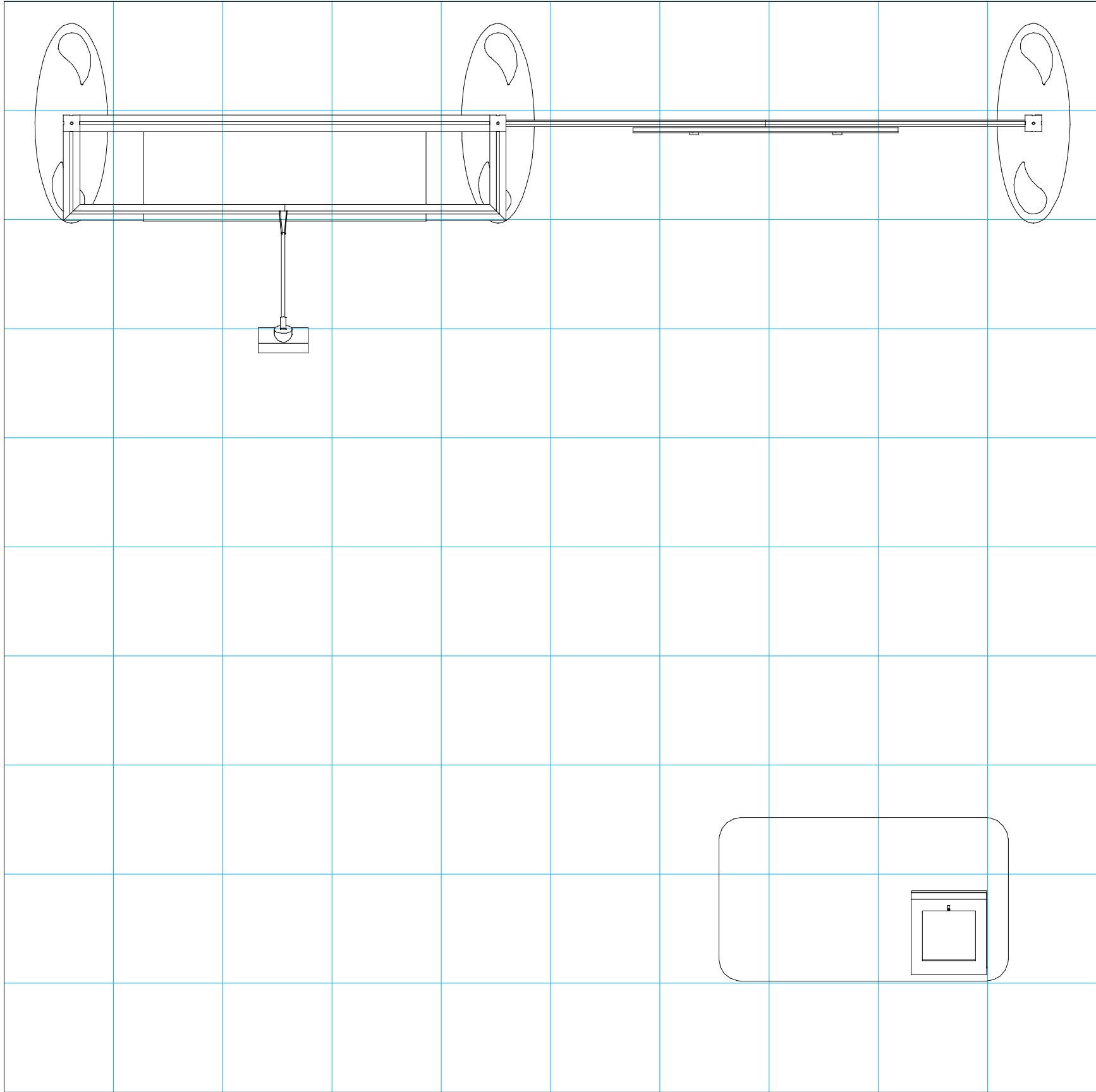


Order #XXXXX - ECO-1050 - 10' x 10' Sustainable Exhibit



Setups



= 1 sq foot

General Setup Instructions

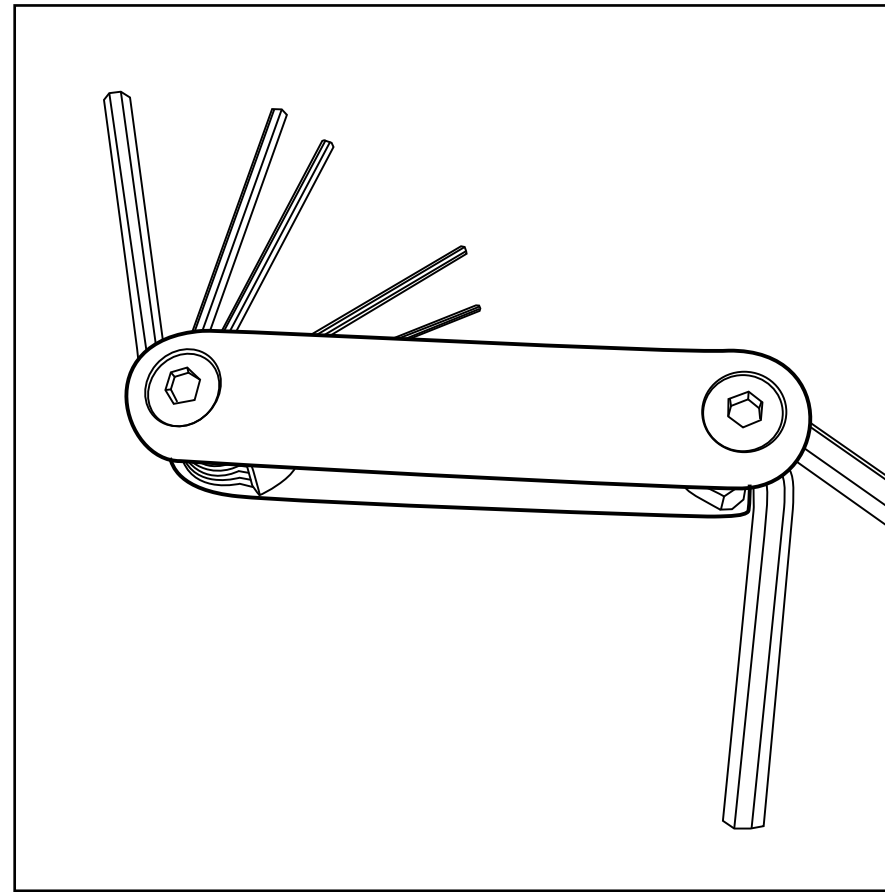
- The setup instructions are created specifically for your configuration.
- Setup instructions are laid out sequentially in levels, including exploded views and a logical series of steps for assembly. We encourage you to study the instructions before attempting to assemble your exhibit.

Cleaning and Packing

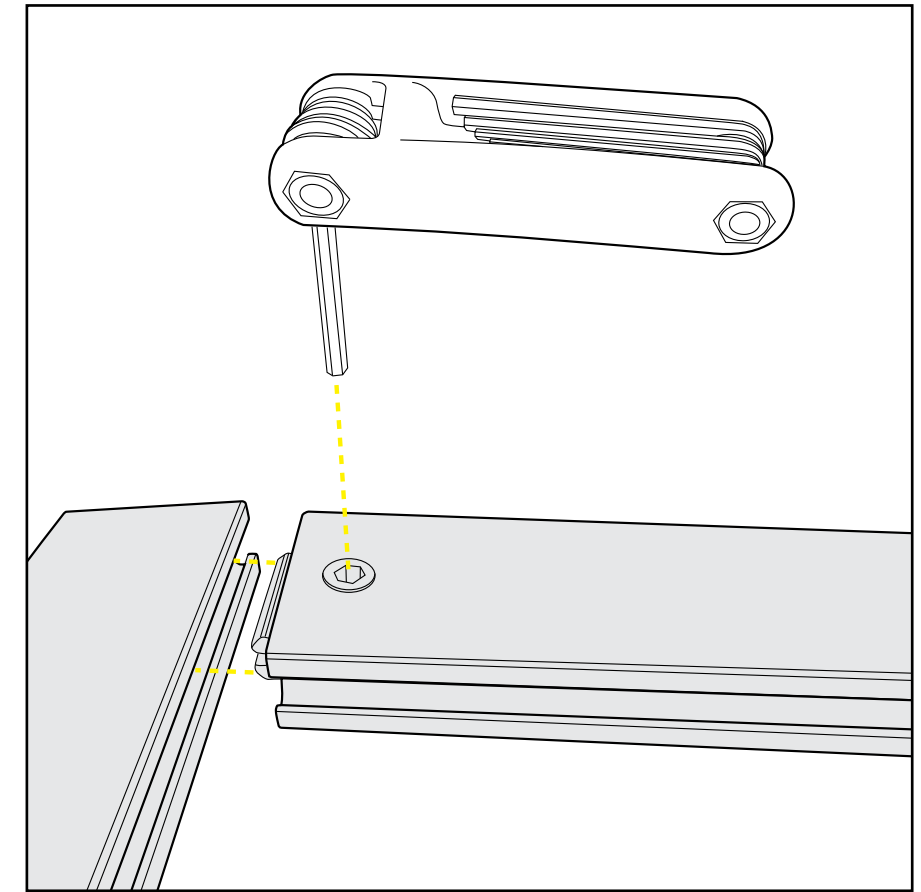
- Use non-abrasive cleaners when cleaning extrusions or ECO Glass inserts.
- Use mild cleaners and soft materials such as cotton to clean all laminates.
- Keep exhibit components away from extreme heat and long exposure to sun light. This will prevent warping and fading.
- Retain all packing material for ease of re-packing. This protects the exhibit components and keeps each part organized.

Disassembling

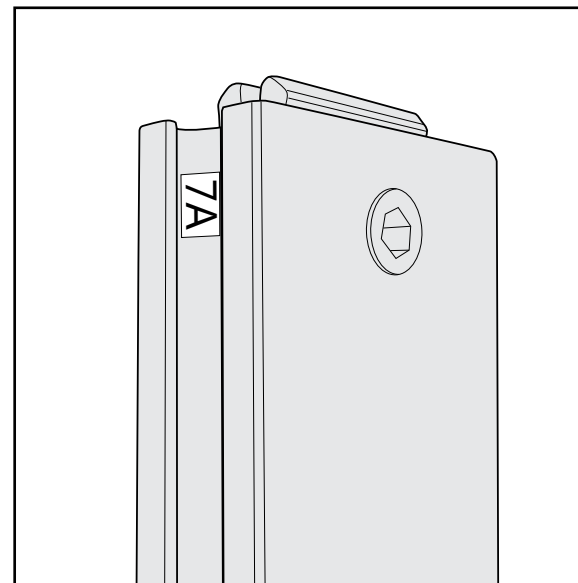
- When disassembling exhibit, tighten all setscrews to prevent loss of hardware in the shipping process.



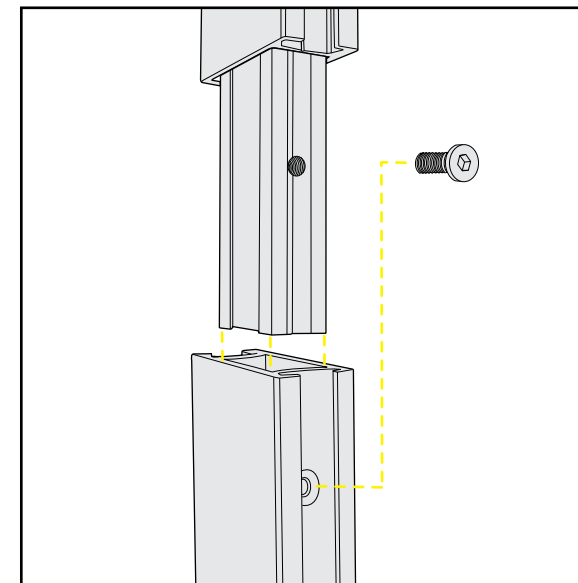
Hex Tool for Assembling Exhibit



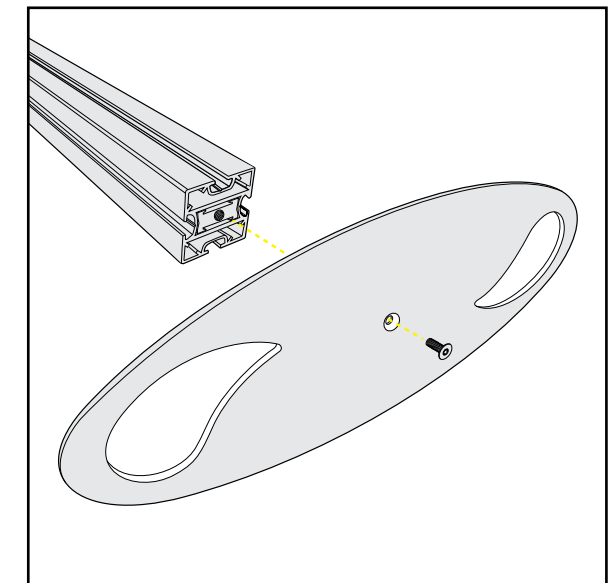
Extrusion Lock Connectors



Numbering Instructions for Setups/Packing

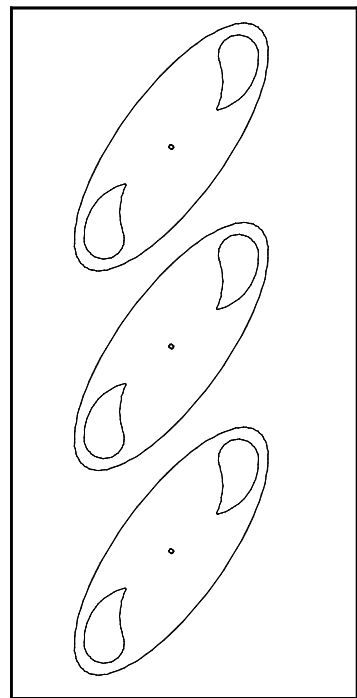


Inline Connection between Extrusions

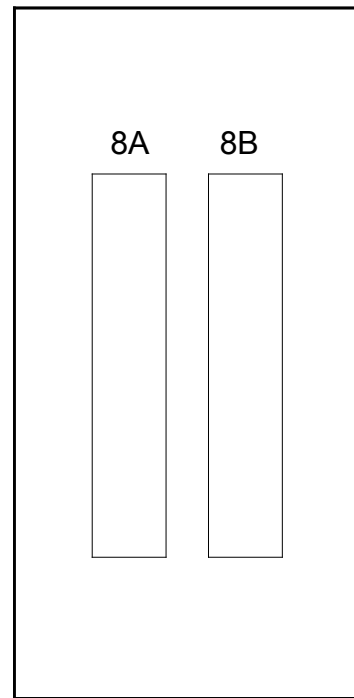


Baseplate Connection for Vertical Extrusions

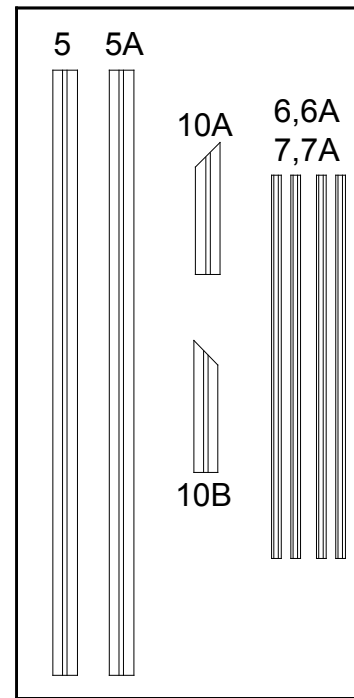
Top View of Each Level



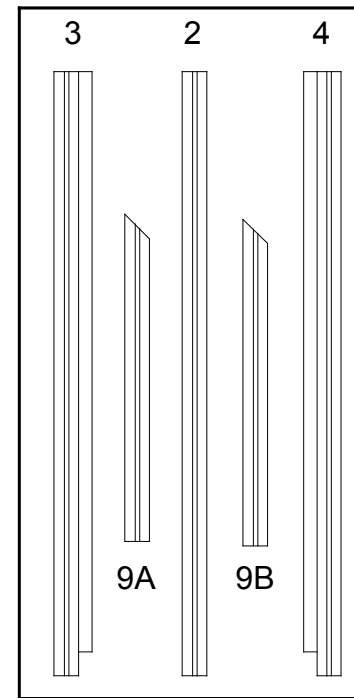
Level 1
(Bottom level)



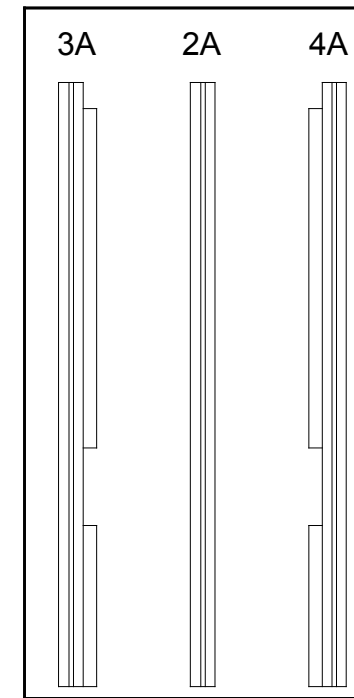
Level 2



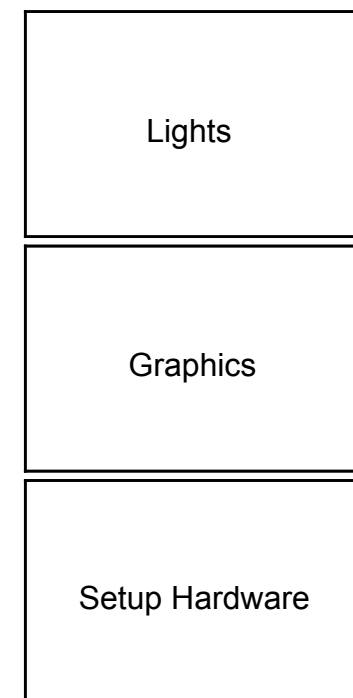
Level 3



Level 4



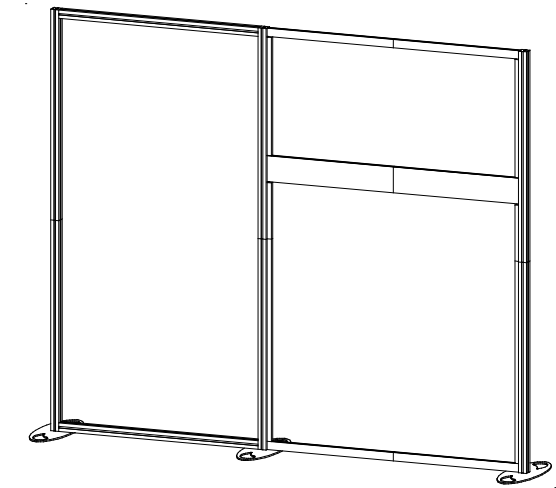
Level 5
(Top level)



Item	Qty.	Description
1	1	8" x 22" Base Plate
2/2A	1/1	45"h S44 Vertical Extrusion
3/3A	1/1	45"h S44 Vertical Extrusion w/ PR63
4/4A	1/1	45"h S44 Vertical Extrusion w/ PR63
5/5A	1/1	45"w S44 Horizontal Extrusion
6/6A	1/1	28.5"w Z45 Horizontal Extrusion
7/7A	1/1	28.5"w Z45 Horizontal Extrusion
8A,8B	1,1	28.5"w Z140 Horizontal Extrusion

Steps:

- 1) Attach Base Plates [1] to bottom of verticals [2,3,4], using bolts.
- 2) Assemble verticals [2-2A], [3-3A], [4-4A] together.
See **S44 Connection** detail.
- 3) Connect horizontals [5,5A] between vertical assemblies [2/2A,3/3A].
- 4) Assemble horizontals [6-7], [6A-7A] between vertical assemblies [3/3A,4/4A].
- 5) Attach horizontals [8A-8B] between vertical assemblies [3/3A,4/4A].
- 6) Apply *left* Fabric Graphic to Velcro on *back* side of backwall;
affix *right* Fabric Graphic to Velcro on *front* side of backwall.



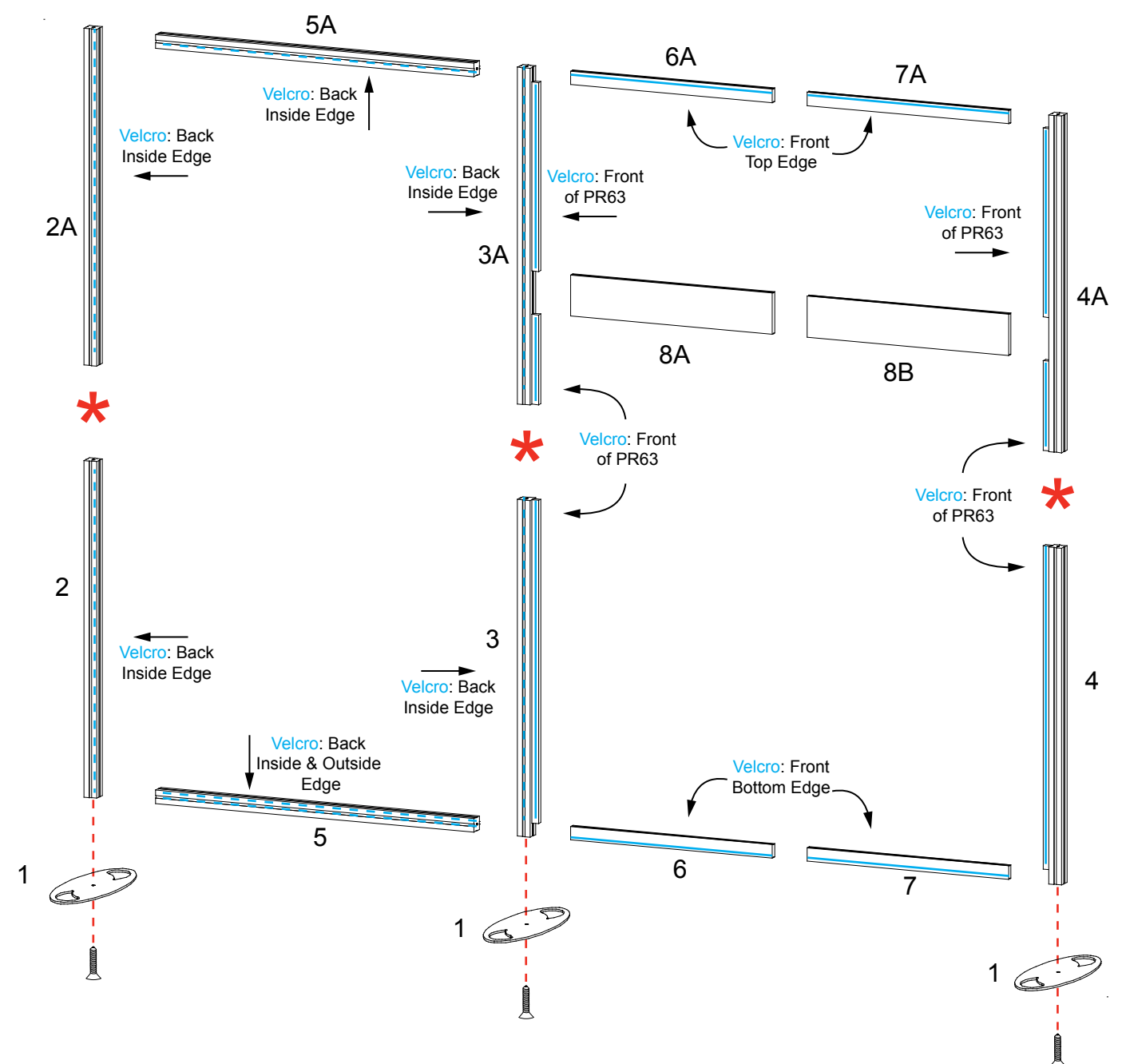
When assembled

Step 1

PR63 Attachment

Attach conduit where indicated by pinching the opening and inserting into the groove of extrusion.

KEEP PR63 ATTACHED TO EXTRUSIONS. DO NOT REMOVE DURING TEAR DOWN.



*** S44 Connection**

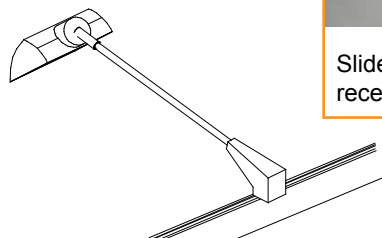
Slide extrusion over connector and rest on lower vertical; secure with screws.

****To prevent product loss, Keep all screws attached to connector piece after disassembling**

Item	Qty.	Description
9A/9B	1/1	24.311" w S44 Horizontal Extrusion
10A/10B	1/1	9.75" w Z44 Horizontal Extrusion

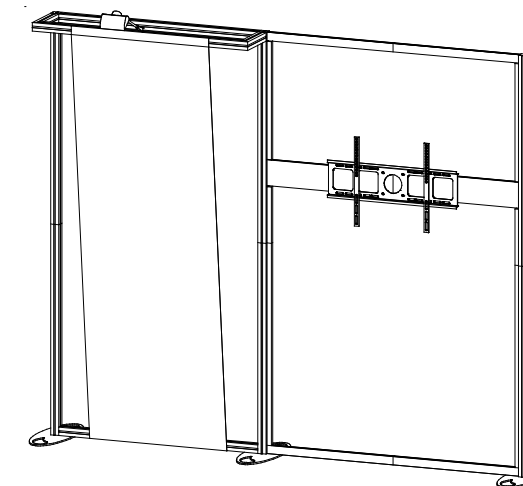
*** Light Attachment**

Lock Clip into Groove of Horizontal Extrusion, then slide Light onto Clip.



Steps:

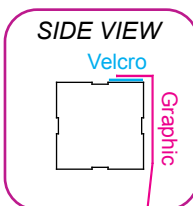
- 1) Connect horizontals [9A-9B] together. See **S44 Connection** detail.
- 2) Attach horizontal [10A] between backwall vertical assembly [2/2A] & horizontal assembly [9A/9B].
- 3) Connect horizontal [10B] between backwall vertical assembly [3/3A] & horizontal assembly [9A/9B].
- 4) Attach Front Graphic to horizontals [5] & [9A/9B]. See **Front Graphic Attachment** detail.
- 5) Attach Light to top of horizontal assembly [9A/9B]. See **Light Attachment** detail.
- 6) Install Monitor Mount to horizontals [8A/8B]. See **Monitor Mount Attachment** detail.



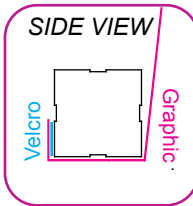
When assembled

Front Graphic Attachment

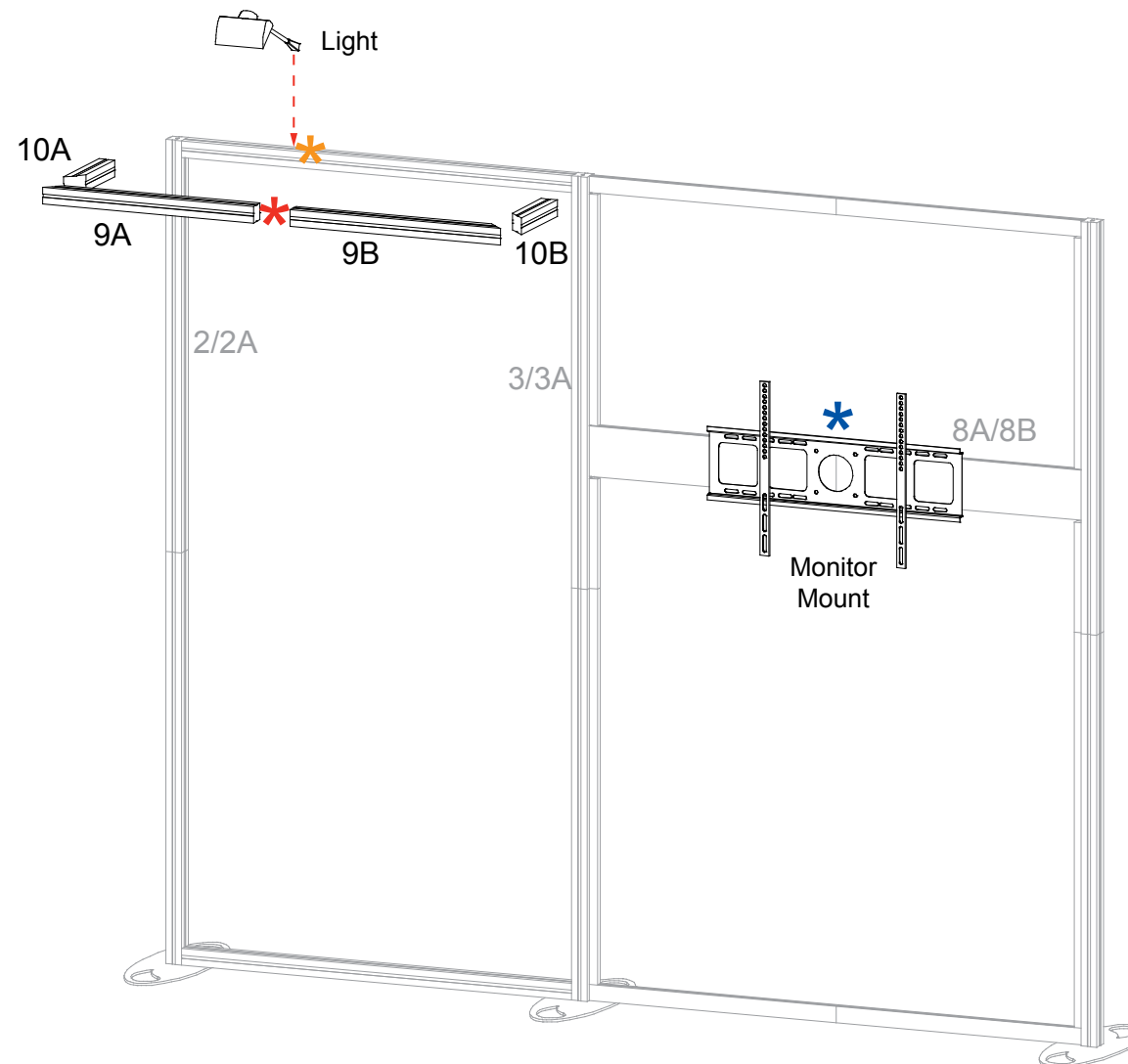
Wrap top of graphic around horizontal [9A/9B] & attach to Velcro on top front edge.



Graphic

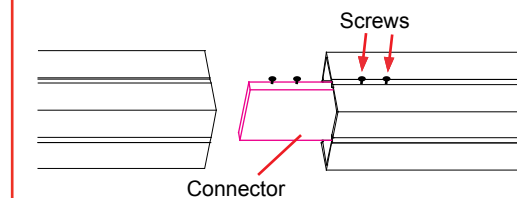


Wrap bottom of graphic *under* horizontal [5] & affix to Velcro on back outside edge of extrusion.



*** S44 Connection**

Slide extrusion over connector and rest on lower vertical; secure with screws.



****To prevent product loss, keep all screws attached to connector piece after disassembling**

*** Monitor Mount Attachment**

Install Monitor Mount to horizontal extrusion using bolts & wing nuts.

